

Perform Costing Monthly Closing

Perform Costing Monthly Closing



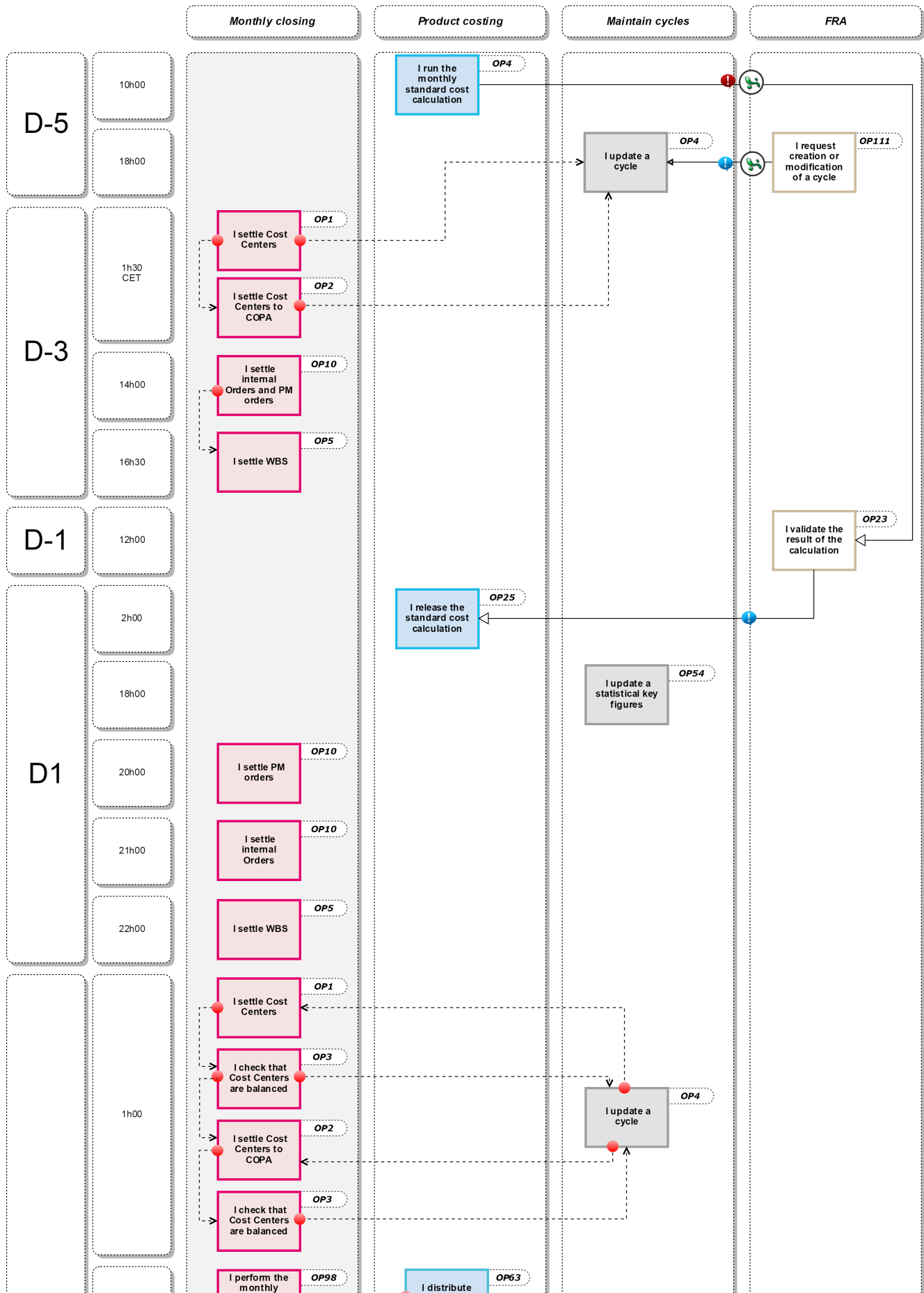
The responsibility area is assigned to

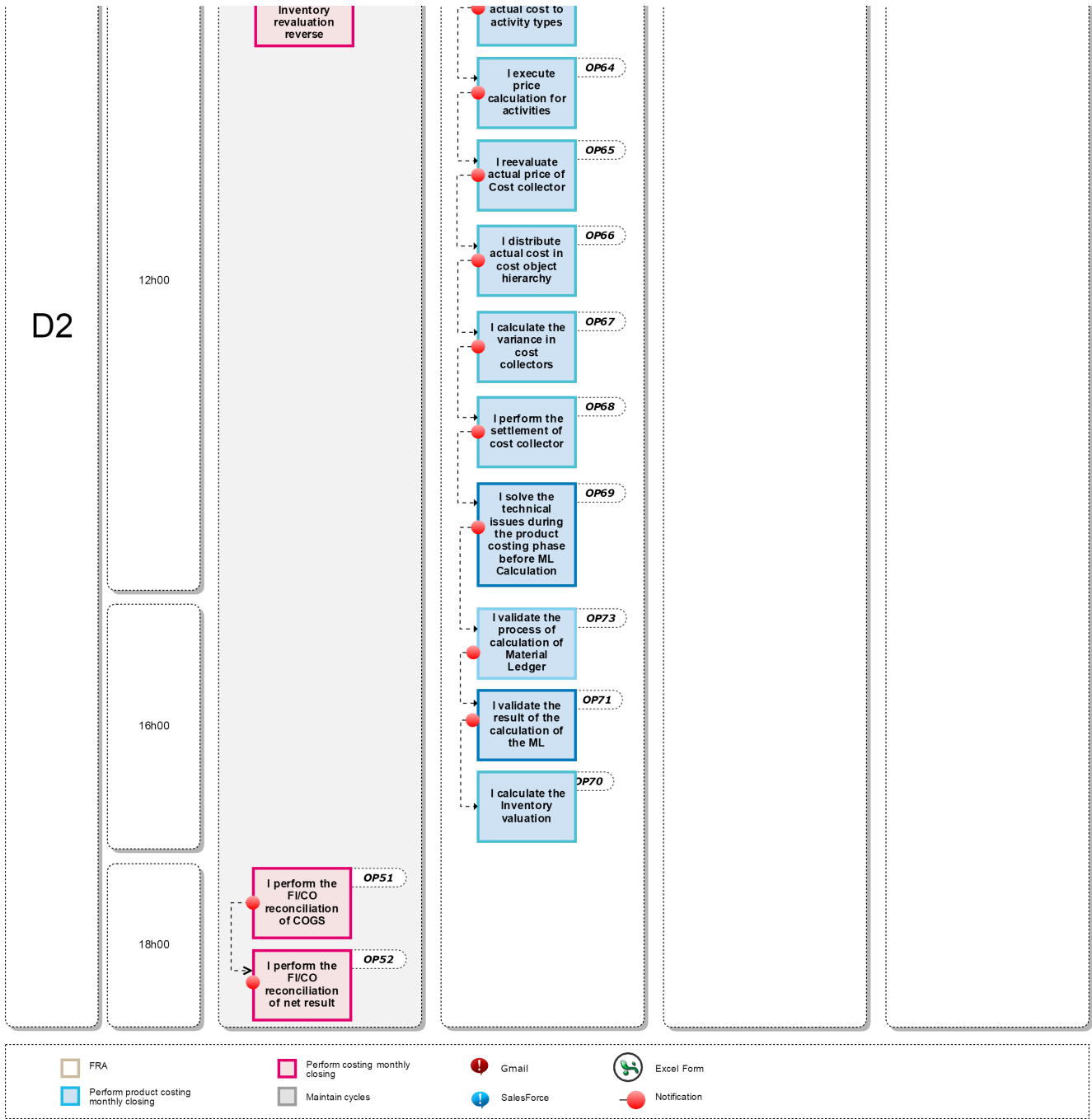
Service center RtR

For questions related to Perform Costing Monthly Closing you can contact :

The content of this macro can only be viewed by users who have logged in.

Responsibility Area & Process





Operating procedures

- I Control of FI-GL and FI-MM
- I settle internal Orders and PM orders
- I settle Process Orders (PP orders)
- I settle WBS (Work Breakdown Structure)

Local procedures