

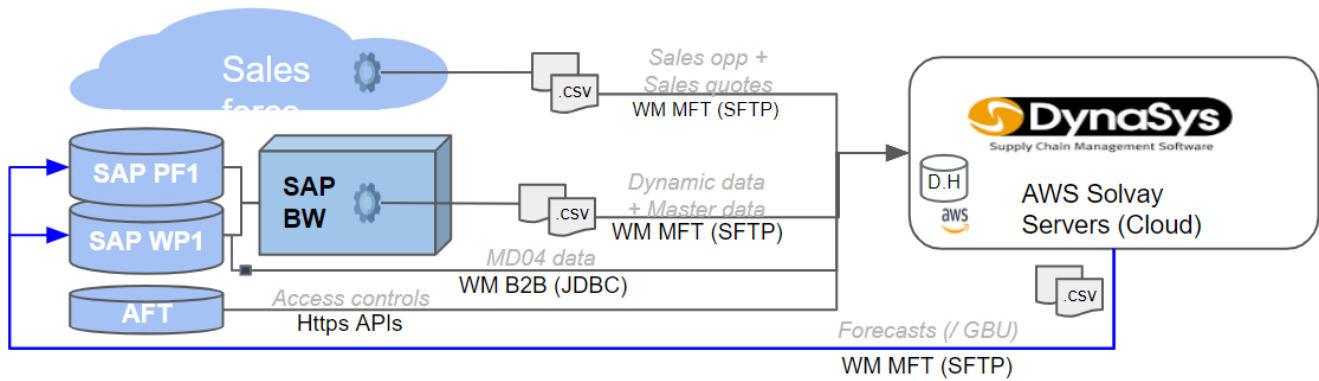
# 2.1 - DynaSys Ecosystem

All interfaces (import and export flows) with the DynaSys databases go through a SQL Data Hub.

Different types of interfaces are used to exchange data from the systems, depending on the possibilities.

- the **BI connection** is the standard way to import data in BW from any other SAP system.
- the **HANA SDI** connection allows BW to read directly MSSQL databases used in the Data Hub.
- **flat files** are used to communicate with the SQL Data Hub through **SFTP**, as there is no possibility to read directly the SAP and cloud databases from the Data Hub for security reasons.
- **SQL** is the standard, most efficient and most robust way to exchange data between the SQL Data Hub and the DynaSys systems.

## Current ecosystem (simplified views)



## Current ecosystem (detailed view)