

zzz Virtus (Bwise)

VIRTUS no more used in BI4 since 01/2021



TAKAHASHI, Hiroaki <hiroaki.takahashi@sol... mar. 5 janv. 05:04



À Marie, moi, Fernando, Nolwenn, Pierre, Valérie, Patrice, Francesco, Michael, Urbano, Clair ▾

Hello and Happy New Year!

I found a workable solution, so we can meet on the deadline.

Best regards.

Hiroaki Takahashi

Information Risks & Security

WW Information Security Compliance Manager

M +81 90 54 28 82 77

T +81 3 54 25 46 83

On Mon, Dec 21, 2020 at 5:03 PM Flourié, Marie <marie.flourie@solvay.com> wrote:

Hello all

we have completed the new libraries in AO Docs for the group IA&RM and they will start using them for the 2021 audit and control year.

Our initial plan was to decommission Bwise end of Q1. It is still the plan however be aware that we are facing technical issues to export documents from the current application database. We are investigating several options with Takahashi-san at the moment to find a solution.

I will inform you in case I think we cannot meet the original deadline.

BWise decommissioning clarification

Boîte de réception x



Flourié, Marie

À Nolwenn, Claire, moi, Hiroaki, Mehmet, Arne, Michael ▾

12:05 (il y a 13 minutes)



Dear all

as you may remember we started last year the process of decommissioning BWise. We have now agreed on the following closing dates with the users:

stop Bwise - May 10 => Sébastien Quitin from Purchasing informed for license termination

stop BO - May 10 => not sure what to do here?

stop server - TBC after migration of archived documents - Sept at the latest => For that part discussions are ongoing with the AO Docs experts for the migration of the historical documents

Do not hesitate if you have any questions

Kind regards

—

Marie Flourié

Solvay Business Services - D&IT

Design Studio Manager Belgium

M +32 471 98 41 16

- [Contacts](#)
- [Overview](#)
- [DWH Generator\(Data Loading\)](#)
- [Data Model](#)
- [Authorization Control](#)
- [Main BI4 Core Reports](#)

[Contacts](#)

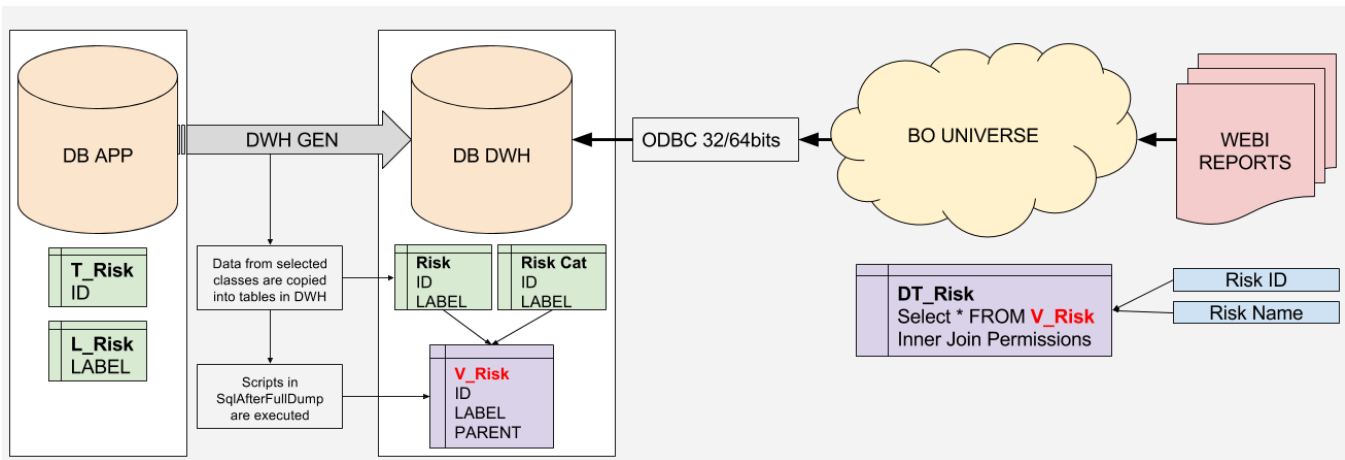
BWise application owner : Hiroaki TAKAHASHI (IT) hiroaki.takahashi@solvay.com

Deputy Head of internal Audit : Patrice CHELIM

Virtus application administrator : Jocelyn MATHIEU jocelyn.mathieu@solvay.com

[Overview](#)

BWise offers the Governance, Risk and Compliance (GRC) platform of software and services, to help companies worldwide **track, measure and manage key organizational risks**, including the risk of non-compliance



All the doc are in Google Site : <https://sites.google.com/a/solvay.com/virtus/manuals>

DWH Generator(Data Loading)

new server (2020) : Production DB = WDCSLVBP31\SLV1_DBPRD

In BWise Application server : D:\BWise\WebServer\DataWarehouse\BWise2DatawareHouse.exe

BWise2Datawarehouse [Window Title Bar]

Connections | Configuration | Tables

From BWise Server

Server: localhost Port: 80

User: Admin

Password: *****

Status: **Connected**

Connect

Report Meta Model

To Database

Type: SQL Server

Server: WDCCLSLVBP01 Port: 64735

Database: Bwise_DWH_Pro

User: BWISEPROD

Password: *****

Status: **Connected**

Connect

Report Schema

Settings

<input checked="" type="checkbox"/> Transfer row-level permissions [permissions]	<input type="checkbox"/> Dump blobs to database
<input checked="" type="checkbox"/> Transfer field-level permissions	<input type="checkbox"/> Dump blobs to disk
<input type="checkbox"/> Transfer multi-language values [translations]	<input checked="" type="checkbox"/> Transfer historic values [history]
<input type="checkbox"/> Transfer text as html	<input type="checkbox"/> Transfer multi-language history [translationshistory]
<input type="checkbox"/> Transfer change log [changelog]	<input checked="" type="checkbox"/> Transfer unpublished assessment changes [unpublished]
<input checked="" type="checkbox"/> Make sure users cannot use Web-I or Infoview during run	<input checked="" type="checkbox"/> Transfer unpublished proposals [unpublished]

Increm Start Stop Close

The NT task

The screenshot displays the 'Task Scheduler' console window for a task named 'BwiseToDWH'. The 'General' tab is selected, showing the following details:

- Name:** BwiseToDWH
- Location:** \
- Author:** FR-RHODIA\DTC_HTAKAHAS
- Description:** Bwise to DWH

Under the 'Security options' section, the following settings are visible:

- When running the task, use the following user account: SYSTEM
- Run only when user is logged on
- Run whether user is logged on or not
 - Do not store password. The task will only have access to local resources
 - Run with highest privileges

At the bottom, the 'Hidden' checkbox is unchecked, and the 'Configure for' dropdown is set to 'Windows Vista™, Windows Server™ 2008'.

Full Dump will be run daily at 2:00AM FR time, it will refresh all the Data Warehouse data.

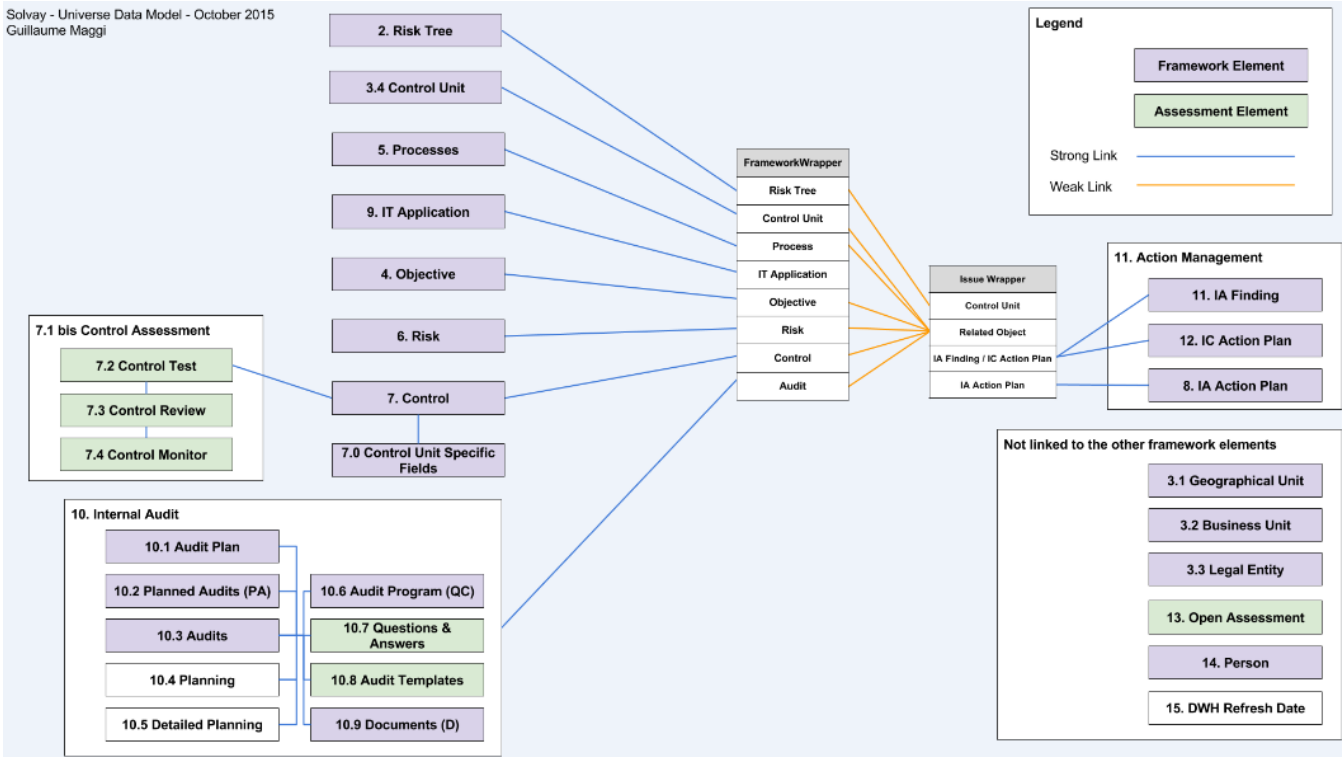
After FullDump all the customized SQL script will be run in below folder
D:\Bwise\WebServer\DataWarehouse\SqlAfterFullDump

Increment Dump will be run each 2 hour, to append the Increment data into DWH

After FullDump all the customized SQL script will be run in below folder
D:\Bwise\WebServer\DataWarehouse\SqlAfterIncrDump

For detail please read the doc "Bwise - BO - Data Warehouse Generator Documentation Bwise 4.1 SP6.pdf" | Google site

[Data Model](#)



Authorization Control

The authorization control is come from B Wise system. Is was define in Derived Tables:

Derived Tables [X]

DerivedTable:

Enter SQL Expression:

```
SELECT C.*
FROM V_H_CONTROL C]
INNER JOIN
Permissions
ON REPLACE(C.ControlMeasureID,'!1','') = Permissions.objectId AND ((CASE WHEN LEFT
(trustee,5) = 'Bwise' Then rtrim(SUBSTRING(trustee, 7, 60)) ELSE trustee END) = @Variable
('BOUSER') OR Permissions.trustee = '$NormalUser')
```

SQL Expression Editor [Check Syntax]

Main BI4 Core Reports

My Documents

Folders

- 47 - Virtus
 - GM BI
 - Internal Audit
 - Documents_IA
 - Internal Control
 - ZZ95 - Report Development
- 48 - QlikView Interface
- 51 - R&D
- 52 - Other Eroom

Title ^	Type	Last R
Documents_IA	Folder	
IA 00 Overview of testing result	Web Intelligence	
IA 00 Overview of testing result Live Office	Web Intelligence	
IA 00-B Overview of testing result (Framework	Web Intelligence	
IA 01 Group Audit Plan	Web Intelligence	
IA 06 Follow Up Report	Web Intelligence	
IA 07 Audit Issues Follow Up	Web Intelligence	
IA 07-B Audit Findings & Action Plans Follow	Web Intelligence	
IA 08-B BU Audit Findings & Action Plans	Web Intelligence	
IA 09 Audit Issues YTD	Web Intelligence	
IA 91 List of Control Units	Web Intelligence	