



ERP-558 Enhancement for Fiori app F2547A - Capture Batch File

Approved

Status	Approved
Owner	BECHTER-ext, Alex
Stakeholders	ANGGREANI-ext, Lisa Dirk van Mierlo
Jira Request ID	 ERP-114 - Jira project doesn't exist or you don't have permission to view it.
Jira Development ID	 ERP-558 - Jira project doesn't exist or you don't have permission to view it.

High- Level Specification

Parameter	Value
Application System	S/4 HANA (All instances)
Business Process Reference	09.05.04.01. Process General Journal Entries

Functional Overview

In the new S/4 HANA system, a standard SAP Fiori application will be deployed which allows for upload of manual journal entries in batches via Excel upload functionalities.

The standard Fiori application does not provide a functionality to automatically attach the uploaded Excel template as supporting document to the journals created as part of the upload batch. At Syensqo, internal controls exist around existence of supporting documents for manual journal entries posted in the system to be able to retrospectively explain the purpose of journal entries during internal or external audits. This is in line with industry best practices and also recommended with view to the expected heightened focus on internal controls in the context of SOX compliance in the future.

The purpose of this enhancement is to equip the standard Fiori application for mass journal uploads via Excel functionality (also known under its current Fiori app ID of F2547A) with a built-in functionality to automatically attach the Excel file used in the upload process to all journal entries created via the respective batch upload.

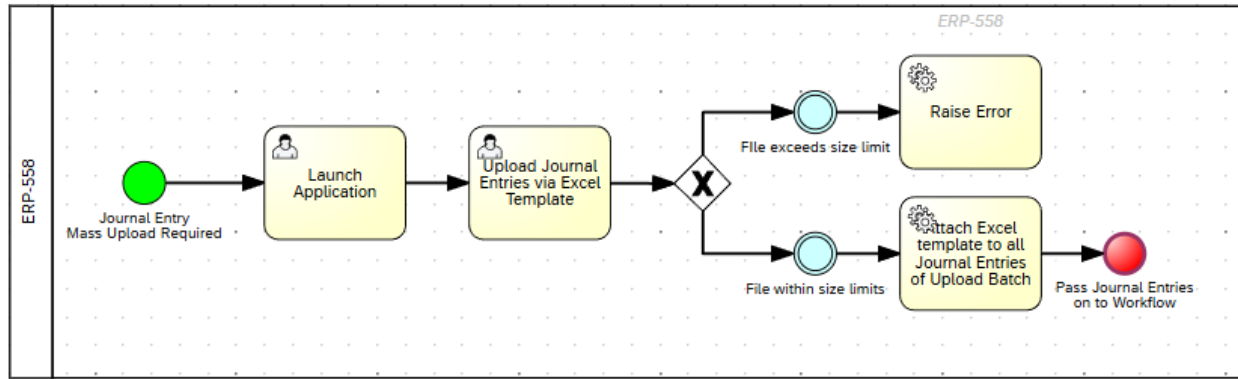
Scope and Objectives

The scope of the enhancement shall be limited to the prevailing version of the Excel upload functionality for manual journals in the latest S/4 HANA version deployed at Syensqo. At the time of writing, the enhancement shall therefore just apply to Fiori application F2547A.

The enhancement addresses the gap of the SAP standard delivery of the Fiori application to attach supporting documents automatically as part of the upload process. Some code analysis of the existing programs revealed that SAP seemed to work on such a feature in the past but decided not to implement it for unknown reasons (code snippet has been commented out). Further clarifications were sought for from SAP on whether it is intended to add the functionality as a standard feature in the foreseeable future but no roadmap items or feedback were obtained from SAP that would point into this direction.

With this enhancement, compliance with internal controls regarding supporting documents for manual journals posted in the system will be system-assured. Furthermore, efficiency gains are expected due to the preventive nature of the enhancement request preventing journals without supporting documents from being routed for review and approval where such journals would need to be rejected by the reviewers/approvers.

Process Flow Diagram



Step	Description	Comment
1	User launches Fiori app F2547A.	
2	User downloads Excel upload template and fills it in.	
3	User uploads Excel template and reviews journal entries proposed.	
4	Enhancement to check file size of uploaded Excel template.	
5	If file size exceeds upper limit, error message shall be issued to user.	
6	If file size does not exceed upper limit, journal entries shall be processed and standard application creates temporary ID for each journal entry.	
7	Enhancement links Excel upload template to all temporary journals created as part of upload batch.	
8	User submits journal entries for review/posting.	
9	Excel upload template attached to workflow notifications generated by flexible business workflow for G/L journals and accessible to reviewers via MyInbox.	

Assumptions

- File capturing feature implemented as part of this development must support Excel files with multiple tabs. For each journal added to the upload batch in the upload file, the user will be instructed to create a separate tab with supporting documentation relevant to each journal requested. As such, it is important that the entire file gets captured and stored in the same format as prepared by the end-user.
- The uploaded file must not be modified/alterd by the custom development. It is expected that the file can be downloaded from the journals' attachment section in the exact same format and structure as uploaded by the user without loss of information.
- File size limitations for file capturing feature implemented via this custom development shall follow the file size limitations as defined by SAP or the technical team, whichever is lower.
- Fiori applications evolve over time as SAP is constantly improving its current product offerings. At the time of writing, the enhancement is applicable to journal entries posted via Fiori app F2547A available in S/4 private cloud environments. If new apps are released by SAP in future releases that offer significantly better useability for journal entry processing, Syensqo may adopt these applications as new default entry methods for journal entries. The enhancement may need to be extended to those successor applications as well in future releases.

Dependencies

If the link between the upload file and the journal can only be established upon submission of the journal, the validation checks implemented via [ERP-557](#) may need to be bypassed.

Apart from that the below dependencies ought to be considered:

- Fiori apps need to be deployed with all required Odata services actively running.
- Master data readiness for posting journal entries in S/4 HANA systems.
- Base configuration for posting journal entries needs to be in place to commence testing.

Security, Integrity and Controls

No specific security or export control requirements applicable to this enhancement. The standard authorization checks of the calling program shall be followed and accesses as well as authorizations to the underlying Fiori application shall be granted according to the swim lane assignments in Signavio.

Configuration Requirements

Not applicable. Call-up point of enhancement is not dependent on system configurations.

Language Requirements

The error message issued by the enhancement shall be translated into the four logon languages defined in '[KDD055 - Multi-Language Support](#)'. The four core languages endorsed in the KDD are:

- English
- French
- Italian
- Mandarin

Special Requirements

Not applicable. No special requirements identified for this custom development.

Design Rationale

Functional Requirements

The standard Fiori application for Excel-based journal entry uploads in S/4 HANA (current ID: F2547A) is a newly introduced system capability in S/4 HANA. It is intended to replace the current custom programs used at Syensqo for mass journal uploads via Excel upload templates.

In the SAP standard application F2547A, the functionality to automatically attach supporting documents during the upload is unfortunately not supported. This would be a breach of internal control requirements at Syensqo which stipulate that all manual journal entries require adequate justification/support explaining the nature/purpose of the manual journal. In order to comply with these internal control requirements and to increase process efficiency in the journal entry review process, the Excel upload template shall be attached automatically to all journal entries created by the respective batch upload file.

Proposed Technology to Use

For this custom development it is likely that an implicit enhancements in the app's OData services are needed to capture the uploaded batch file in order to link it to the journals created.

Custom solution has to be implemented to achieve this requirement. Below are the steps of the possible option:

1. The Service Provider class of Manage Journal Entries Upload Journal entry page (CL_FAC_FINANCIALS_POST_DPC_EXT) Create Stream method performs the upload functionality.
2. Inside the create stream method, Method ACCDOC_CRT_FRM_FILE can be used to get the batch id from the internal table LT_ACCDOC_ENTRY_IN for each of the journal entry created by the upload file and pass it to draft table FDC_D_DFT_AC_HDR-GRPID to fetch the temporary id (TMPID) of the journal entries into a draft internal table
3. Use class CL_ODATA_CV_ATTACHMENT_API, method IF_ODATA_CV_ATTACHMENT_API-MASS_UPLOAD_ATTACHMENTS and pass
 - a. IV_OBJECTTYPE = 'BKPF'
 - b. IV_OBJECTTYPE_LONG = 'BKPF'
 - c. IV_OBJECTKEY = TMPID (from DRAFT INTERNAL TABLE-TMPID)
 - d. IT_MEDIA_CONTENT file data (filename)
4. If there is no error, use class CL_FAC_ATTACHMENT_SERVICE, method REASSIGN_ATTACHMENTS and pass
 - a. IV_TMPID_OLD = TMPID (from DRAFT INTERNAL TABLE-TMPID)
 - b. IV_OBJTYP_OLD = 'BKPF'
 - c. IV_TMPID_NEW = TMPID
 - d. IV_OBJTYP_NEW = 'FDC_DRAFT'
5. The upload document is attached in each of the journal entries

Data Source Considerations

This section is not applicable to this custom development.

Data Validation Considerations

This section is not applicable to this custom development.

Custom Tables

This section is not applicable to this custom development.

Selection Screen Enhancement

This section is not applicable to this custom development.

Processing Logic

The processing logic for this enhancement shall perform the following steps in the given sequence:

- 1.) Upon successful upload of the journal entries via Excel templates using Fiori app F2547A, the Excel file shall be captured and stored in an internal storage space.
- 2.) In the standard Fiori application, the user has the ability to change/withdraw the uploaded data before it gets submitted for approval. Hence, the link to the uploaded file is not necessarily required at this early stage. However, it is desirable to establish the link between the attachment and the upload file at this stage to assure the user that the file has been attached when opening the journal in the foreground prior to its submission. If technically feasible, the link should therefore be made during the upload so that the attachment becomes available/visible prior to journal submission. This is also desirable to avoid potential repercussions on custom development [ERP-557](#) should journal entries be submitted in the foreground by the end-user.
- 3.) The file shall be attached as supporting document to every journal created in one upload batch. This can be up to 999 journal entries in one batch.
- 4.) If the file size is larger than the allowed limit in the S/4 HANA systems, an error shall be output during the upload of the journal entries batch:
 - Error Message: ' File size too large. Reduce file size to a maximum of <Allowed file size as per SyWay rules> MB.' (Variable: <Allowed file size as per SyWay rules>; to be populated dynamically from configurations).
- 5.) Once uploaded, the journal shall be visible and retrievable for end-users via the 'Attachment' tab available in the journal entry editing/viewing transactions (e.g. Fiori application 'Manage Journal Entries').
- 6.) The attached file must also be visible and retrievable for journal entry reviewers/approvers in the respective Fiori inbox notifications sent out by the flexible business workflow for G/L journals. It shall be available for downloads under tab 'Attachments' in the notifications sent to the approvers /reviewers via the 'MyInbox' Fiori application.

Volumetrics

The volume of manual journals in S/4 HANA is expected to decrease due to process re-designs and other innovative features available in the S/4 HANA systems that reduces the need for manual adjustment journals at period-end.

The current volume of manual journals per period ranges between 8,000 to 10,000 journals per accounting period. This is expected to drop by a significant amount in S/4 HANA, assuming an 80% reduction of manual journals would result in a range of 1,500-2,000 journals per period across all S/4 HANA instances. It is expected that the majority of the journals will be created via the Excel upload functionality.

Performance Considerations

During peak days for manual journal entries, typically towards the end of an accounting period especially during quarterly or yearly closes, the volume of manual journal can spike up. The enhancement should be able to handle such sudden spikes of concurrently processed journals in an efficient manner. Per batch file uploaded to S/4 HANA, a maximum of 999 journal entries can be created.

Error Handling

Special error handling is not required. IT support tickets must be raised should the user detect any journal entries that were posted via the mass upload functionality without attached Excel upload template. This would need to be investigated further by the technical team to identify glitches in the code that prevent the automatic linkage of the journal entry with the upload template.

Testing

How to Test

- 1.) Ensure the necessary roles for accessing Fiori apps F2547A are assigned to your user ID.

- 2.) Use the batch upload file ([JournalEntry_Template \(9\).XLSX](#)) for testing purposes and upload it into the application's staging table. (Note: Upload templates get modified by SAP in regular intervals. If the provided file is no longer accepted, please download a new template from the most recent version of the Fiori application available in the S/4 HANA systems. Use the same journal entry details as provided in the reference file for your testing).
- 3.) Once uploaded and the temporary IDs are generated, click on the temporary ID. Via hotspot functionality, you will be re-directed to the foreground entry mode view. Switch to tab 'Attachment' to check if the file has been uploaded and linked to the journal entries.
- 4.) Return to the previous page showing the temporary staging table with the uploaded journal entries from the current batch.
- 5.) Press button 'Submit' to route them for review and approval.
- 6.) Check the MyInbox notification. Under tab 'Attachment' the file should be available and download-ready for the reviewers/approvers.
- 7.) Approve journal entries via MyInbox notification.
- 8.) Launch Fiori application 'Manage Journal Entries'. Retrieve the approved journal entries and view journal entry details. Ensure the attachments are available in journal entry view under tab 'Attachment'.

Test Conditions and Expected Results

ID	Condition	Expected Result
1	Upload file and review journal entries in foreground mode prior to submission using temporary ID hot-spot functionality in Fiori app F2547A.	The file should be visible and retrievable under tab 'Attachment' in the proposed JE.
2	Upload file and submit at least two journal entries from batch for review simultaneously out of staging table screen of Fiori app F2547A. Check MyInbox review/approval notification.	The upload file shall be attached to the MyInbox notification and available for download within the notification itself under tab 'Attachments'.
3	Upload two batches of journals sequentially using two different Excel upload templates. Submit the journals for review/approval in one go after the second upload. Check MyInbox review/approval notification.	The correct Excel upload template from each upload batch must be attached to the respective journal entries submitted for review via the staging area.
4	Approve uploaded journal entries via MyInbox application. Go to Fiori app 'Manage Journal Entries' and verify that all journals are linked to the Excel upload template used for the respective upload batch.	Check that the right Excel upload template is available for download in tab 'Attachment'.
5	Perform test upload for 500 journal entries, split up across 2 Excel upload files. Then submit all journal entries in one go. Launch Fiori app 'Manage Journal Entries'.	All 500 journal entries need to have the right Excel file attached in tab 'Attachment'. Ensure that the two Excel files are not mixed up during mass processing.
6	Prepare Excel upload template with multiple tabs and embedded files leading to upload template with large file size but within allowed file size limits.	If file size doesn't exceed maximum allowed file size as per SyWay rules, Excel upload templates need to be attached to all journals regardless of the file size.
7	Prepare Excel upload template with multiple tabs and embedded files leading to upload templates with large file size beyond allowed file size limits.	Error message shall be issued during journal entry upload.
8	Log on to SAP in different language than EN (choose any other of the 3 supported logon languages). Prepare Excel upload template with multiple tabs and embedded files leading to upload templates with large file size beyond allowed file size limits.	Error message shall be issued during journal entry upload translated into logon language.

Test Considerations/Dependencies

No dependencies other than overall dependencies of basic FI configurations and master data to be in place before testing can be commenced.

Other Information

Development Details

Package

Package Name	Parent Package

Enhancement Implementation

Enhancement Type	Standard Definition Name	Custom Implementation Name	Design Rationale Reference

Other Development Objects

Object Type	Object Name	Purpose/High Level Logic	Design Rationale Reference

Appendix

Custom Authorization Group Naming Convention

This table is based on the Syensqo development standards document. It provides the naming conventions for authorization groups to associated with custom reports and tables to comply with security requirements.

ABAP	ZFI	ZMM	ZPS	ZCO	ZSD	ZBC	ZFI	ZCA
TABLES	ZFIT	ZMMT	ZPST	ZCOT	ZSDT	ZBCT	ZFIT	ZCAT

See also

File	Modified
Microsoft Excel Spreadsheet JournalEntry_Template (9).XLSX	Dec 19, 2025 by TORRES-ext, Benedict

Change log



Version	Published	Changed By	Comment
CURRENT (v. 25)	Dec 19, 2025 11:46	TORRES-ext, Benedict	Updated the batch file template as an attachment in Confluence
v. 24	Dec 19, 2025 10:52	CHEBOLU-ext, Madhava	
v. 23	Dec 19, 2025 10:31	CHEBOLU-ext, Madhava	
v. 22	Dec 10, 2025 07:12	CHEBOLU-ext, Madhava	
v. 21	Dec 10, 2025 02:51	BECHTER-ext, Alex	

v. 20	Nov 10, 2025 08:26	BECHTER-ext, Alex
v. 19	Oct 30, 2025 02:24	BECHTER-ext, Alex
v. 18	Oct 30, 2025 02:21	BECHTER-ext, Alex
v. 17	Oct 23, 2025 07:42	BECHTER-ext, Alex
v. 16	Oct 23, 2025 07:37	BECHTER-ext, Alex

[Go to Page History](#)

Workflow history

This view shows the 5 most recent entries. The complete workflow log is available from the 'Document Activity' menu item.

Mar 06, 2026	Actor	Type	Activity	Version
Approved	 BOUMSSAHAL-ext, Mohamed	State	changed state to Approved at 12:41 pm	v25
Lead Approval	 BOUMSSAHAL-ext, Mohamed	State	gave <i>POD Lead Review</i> approval at 12:41 pm	
Dec 19, 2025				
	CHEBOLU-ext, Madhava and TORRES-ext, Benedict	Edit	multiple updates from  CHEBOLU-ext, Madhava and  TORRES-ext, Benedict	
	 TORRES-ext, Benedict	State	changed expiry date to '26 Dec, 2025 10:46 am' at 10:46 am	
		State	changed state to Lead Approval at 10:46 am	v25
Tech Review	 TORRES-ext, Benedict	State	gave <i>Tech Review</i> approval at 10:46 am	
			<i>Approving with minor changes</i>	